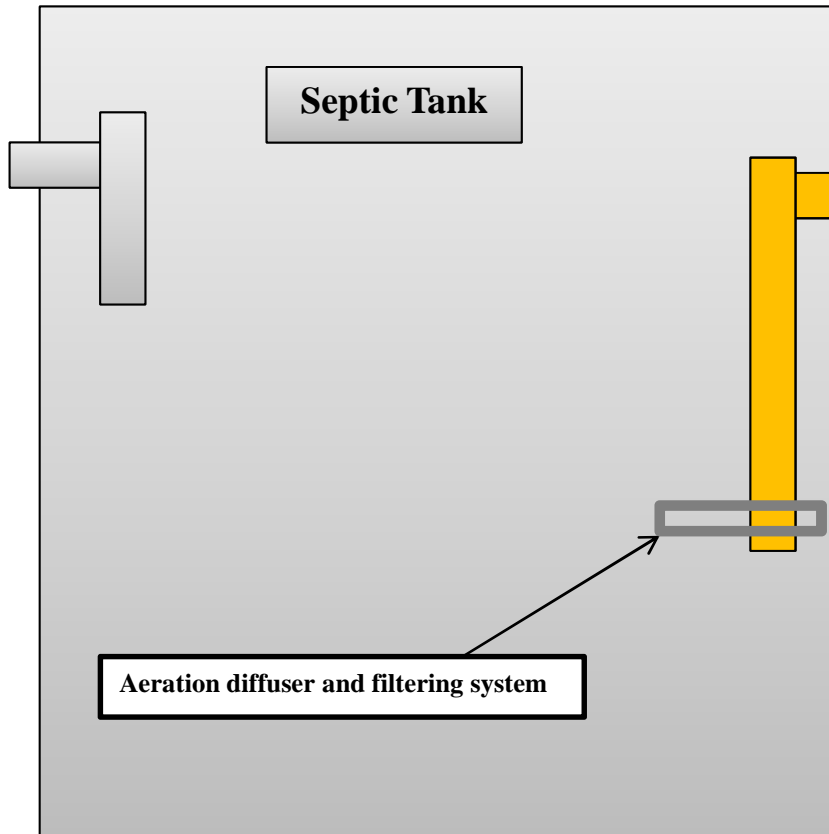
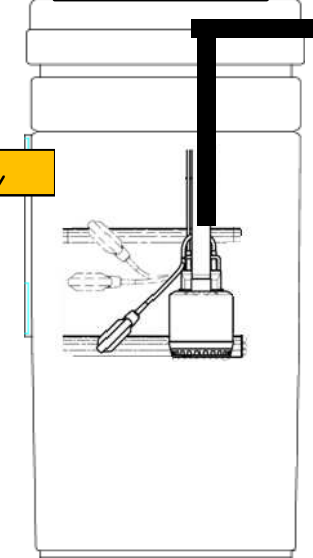


The standard invert pipe level from ground level is 430mm or 755mm but this can also be modified to suit your site.



Air Compressor Housing



630mm  
Diameter

## Pump Chamber and Aeration System

Ground Level to  
Base 12750mm



Bioflow Watercare  
8 Goatstown Ave.,  
Dundrum,  
Dublin 14  
Tel. 01 2964047

[www.bioflowwatercare.com](http://www.bioflowwatercare.com)

**BIOFLOW**  
**WATERCARE**